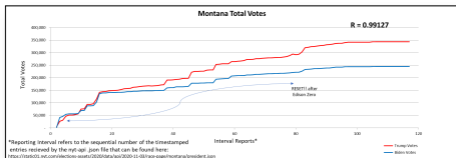


Did Your Vote Actually Count?



**Facts You
Should Know**

We The People



ARE DESERVEDLY ALARMED!

- Studied the national data.
- Found probable cause to question the 2020 General Election results.
- Sought meaningful participation—commissioners, county clerks, sheriffs, state representatives.
- Investigated—FOIAs
- Documented our findings—Notices of Demand
- Proposed remedies, demanded action—Notices of Demand
- Concluded government did not listen, does not care, based decisions on \$ and politics, not facts.

The County

2020 General Election

- Turned the vote count over to ES&S, a foreign corporation
- “Certified” the election blindfolded, accepting the ES&S numbers without independent inspection or verification.

Transparency

- Refused meaningful citizen participation.
- Refused inspection of the ES&S machines hardware and software.
- Withheld a FOIA request 6 months for ES&S approval.

Where does it get the authority to:

- Abrogated its duties to a foreign corporation?
- Signed a contract that subjugated the county and our rights to ES&S?

ES&S

- Foreign corporation based in Nebraska
- Wrote and controlled the contract
- Controls the machines
- Forbids any/all inspections
- Had to approve a FOIA request before the County would give it to the Montana citizen requesting it
- Has a representative stand guard over every election machine, every hour, at every election
- Observed holding phones up to their equipment on election day
- Attended all Commissioner public hearings, given the last word
- Has a seat at the table in everything — commissioners' hearings, FOIA requests, vote counts, even state committees

The State

After getting nowhere with the County, The People sought support from “our” State of Montana.

We were ignored.

The Secretary of State’s office allegedly instructed local officials to not help our efforts.

The Attorney General’s office said it could not help us with legal opinions, as it represents government, not us?!

- Senate President - **NO RESPONSE**
- House Speaker - **NO RESPONSE**
- Secretary of State — **NON COOPERATIVE**
- Attorney General — **NOT OUR AGENT**
- Governor - **UNSUPPORTIVE** of Sen. Manzella’s call for a Senate special select committee
- Public form requested - **REFUSED**

Action

You can make a difference.

- Make your voice heard. Sign the petition. (link)
- Spread the information to every one and every group you know.
- Follow the conversation and learn more here. (Link)

Contact: Kirk F. MacKenzie
TheConstitutionalCounty.com
Kirk@DefendRuralAmerica.com
650-967-5679



<https://bit.ly/3CX3Gur>



The ES&S Machines

County personnel ① handled the paper ballots, fed them into the tabulators (two DS850s) and removed them from the out trays.

The ES&S tabulators ② scanned the paper ballots into images, then into digital records, or eBallots.

The eBallots were encrypted, copied to Stick1 ③, walked over and inserted into the ES&S Hardened Computer ④.

The Hardened Computer processed the eBallots and output the unencrypted results to Stick2 ⑤, which was walked over to a standard office computer ⑥ and published ⑦.

Only election totals ⑦ were reported. The County certified these in blind faith, with no independent inspection or verification of the eBallots. Indeed, all eBallot records appear to have been destroyed, making verification impossible.

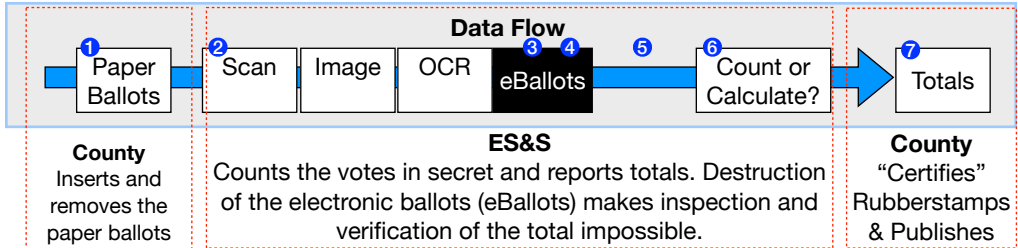
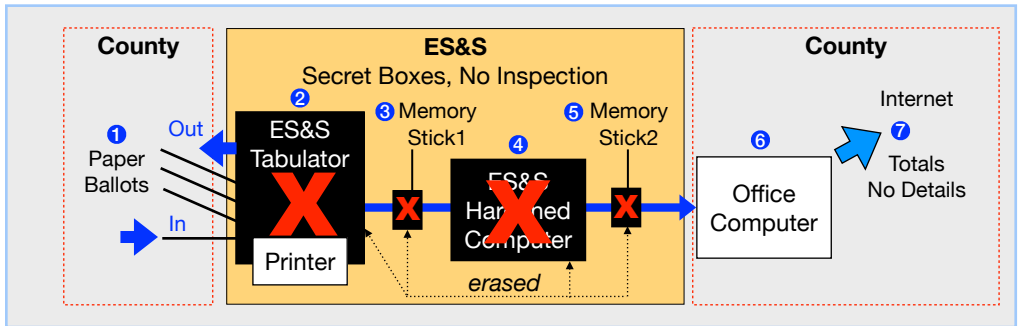
The Records

The County took every opportunity to destroy evidence. It did so willfully and in full knowledge of our concerns, and in direct contradiction of our demands to preserve evidence. If it looks and sounds like a coverup, is it a coverup?

It is our understanding the County did so with the full approval of the Secretary of State.

- Hard disk drives — **WIPED** against our requests
- Memory sticks — **WIPED** against our requests
- Systems Files — **WIPED**
- eBallots — **NEVER OBTAINED**
- Machines — **TO BE REPLACED?**

The ES&S Machines



- Hardware Secret **REPLACE?**
- Software Secret **WIPED**
- 2 Tabulator Secret **WIPED**
- 3 Stick1 Encrypted **WIPED**
- 4 Hardened Computer Secret **WIPED**
- 5 Stick2 Unencrypted **WIPED**

“Certification”

ES&S determined but did not certify the election outcomes. The County Commissioners and Clerk did, accepting and rubber stamping the ES&S numbers without independent inspection or verification of the eBallots.

Certification used to mean ballots had been *inspected* and *verified*. Apparently, no more.

When FOIA'd for its definitions of “*certify*” and “*certification*”, the County replied: Look it up in the dictionary. This suggests it has no standards to conform with.

Pressed further, the County provided a flier that implied its position is no machine, no election, and no vote can ever be challenged because of the closed box *observation* of one machine in Helena.

Common Sense Remedies

For the 2020 General Elections

- Hold and promote a public 4-hour citizen-led presentation of our findings and concerns,
- Complete at County's cost a bipartisan citizen-led ballot and ballot envelope count.
- Demand 2020 eBallots from ES&S
- Provide an open inspection of the unaltered ES&S equipment used.
- Timely fulfill our FOIA requests, at no cost, and reimburse all prior related FOIA charges.

For the 2022 elections

- Stop all use of ES&S machines.
- Do bipartisan citizen-led hand counts.

Election Reforms

- Adopt standards the citizens propose
- Put out bid for alternate suppliers
- Stop taking election-related money from outside parties.